


↑ ↑  
HYDRAULIC CONNECTIONS ACCESS

VALID FROM 15/01/2016

According to our policy of continuous improvement, dimensions, features or components of this product can be partially or completely changed without prior notice. It's Customer responsibility to verify that this is the last version of the drawing

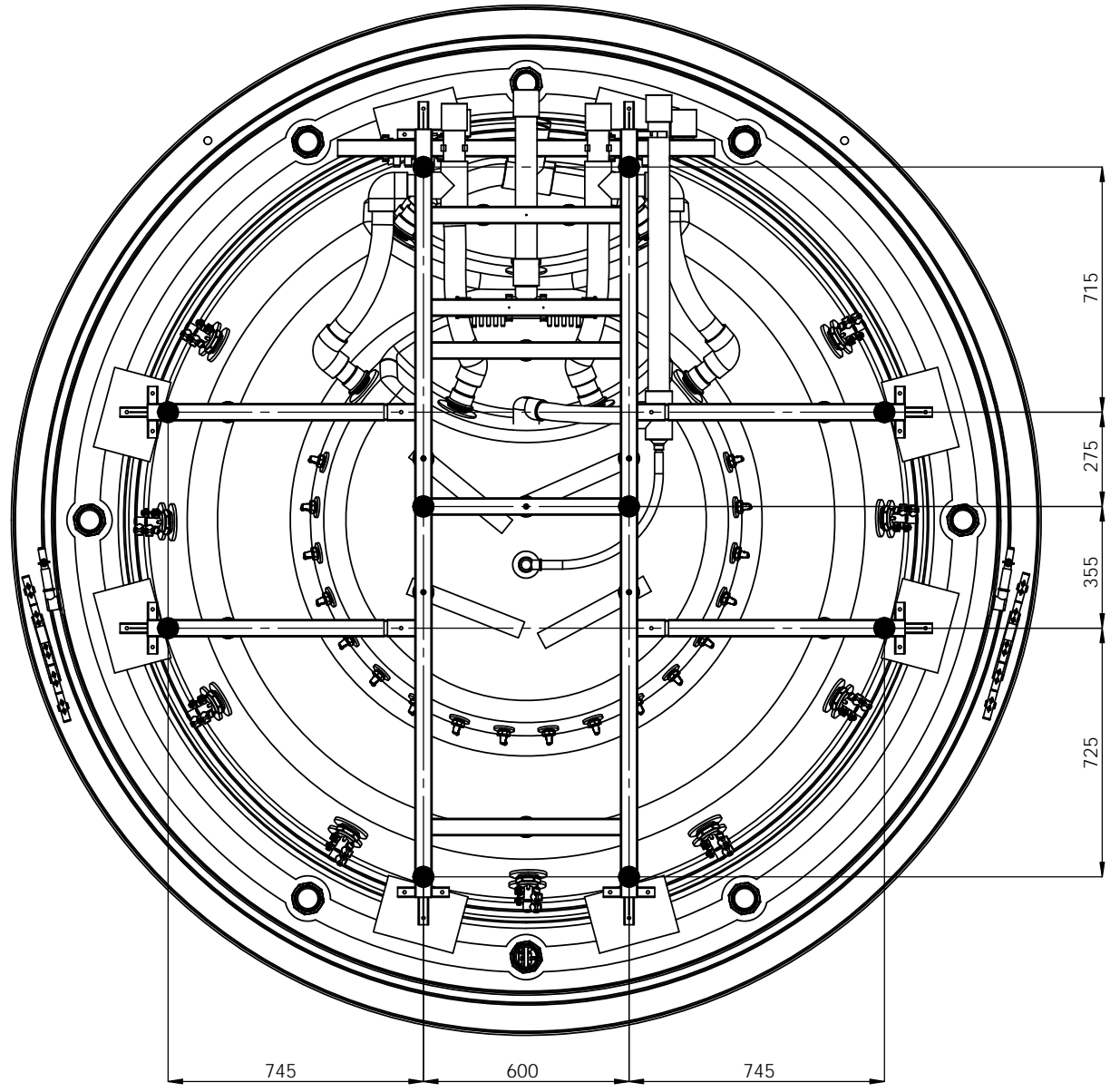
Change No.	Date	Name	Modification
03	20/09/2016	I.Pozo	Change outputs legend
02	04/03/2016	I.Pozo	Change light and drain. Add table
01	29/01/14	I.Pozo	New Templates
00	08/04/13	I.Pozo	Drawing Creation

Remarks Dimensions in mm. General Tolerances +/- 10mm			COMMERCIAL		
Drawn	08/04/2013	I.Pozo		Part Number	57113
Checked	-	I.Nicolas		Rev.	03
Scale	1:20	General Tolerance			
Sheet	1/3	DIN 7168 ISO 2768g			

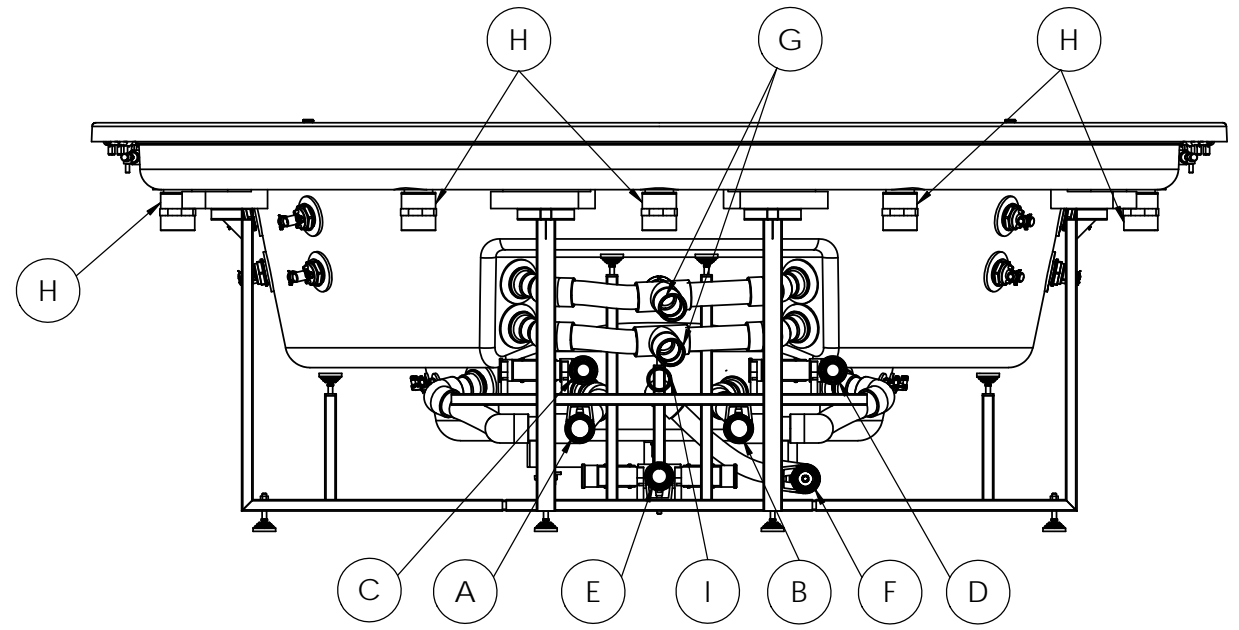
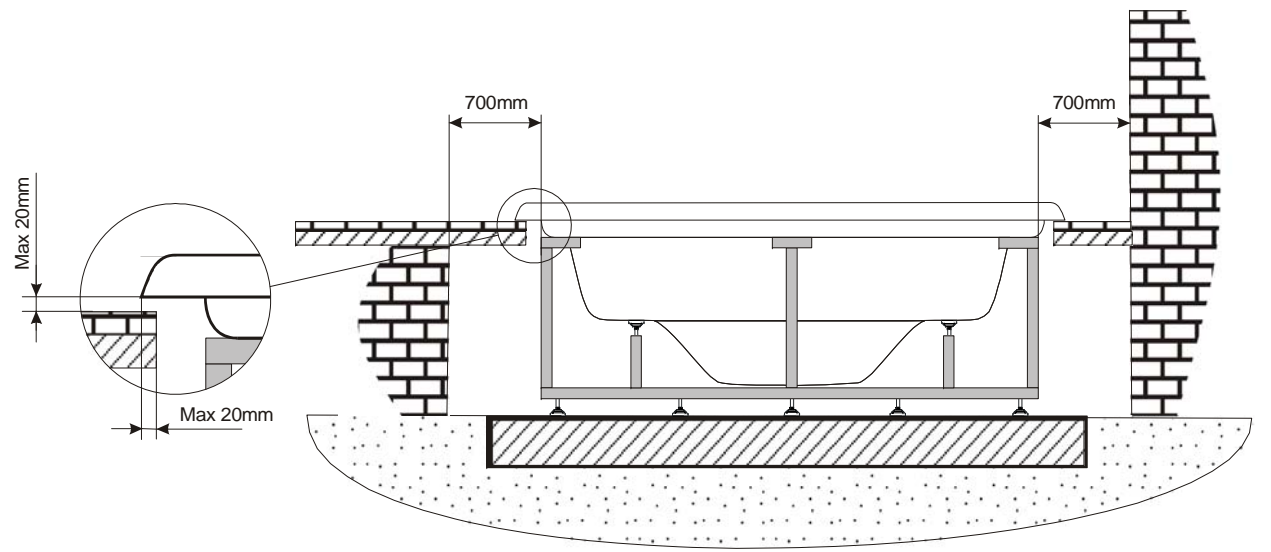
Property of IBERSPA S.L. Avda. Pla d'Urgell 2-8 25200 Cervera, Spain. Don't use without permission. Keep this information confidential and use it solely for the permitted purpose.

A	Suction-Water Massage Pump 1	Ø 63mm FEMALE THREAD
B	Suction-Water Massage Pump 2	Ø 63mm FEMALE THREAD
C	Return-Water Massage Pump 1	Ø 63mm FEMALE THREAD
D	Return-Water Massage Pump 2	Ø 63mm FEMALE THREAD
E	Return-Air Massage	Ø 63mm FEMALE THREAD
F	Suction/Return-Filtration Pump Bottom Spa	Ø 63mm FEMALE THREAD
G	Return-Filtration Pump Inlets	Ø 63mm FEMALE THREAD
H	Overflow Drains (8x)	Ø 75mm FEMALE SOCKET
I	Light (Optional)	Optional



VALID FROM 15/01/2016

**WARNING:**  
It's essential to keep a minimum clearance access of **700mm** all around.

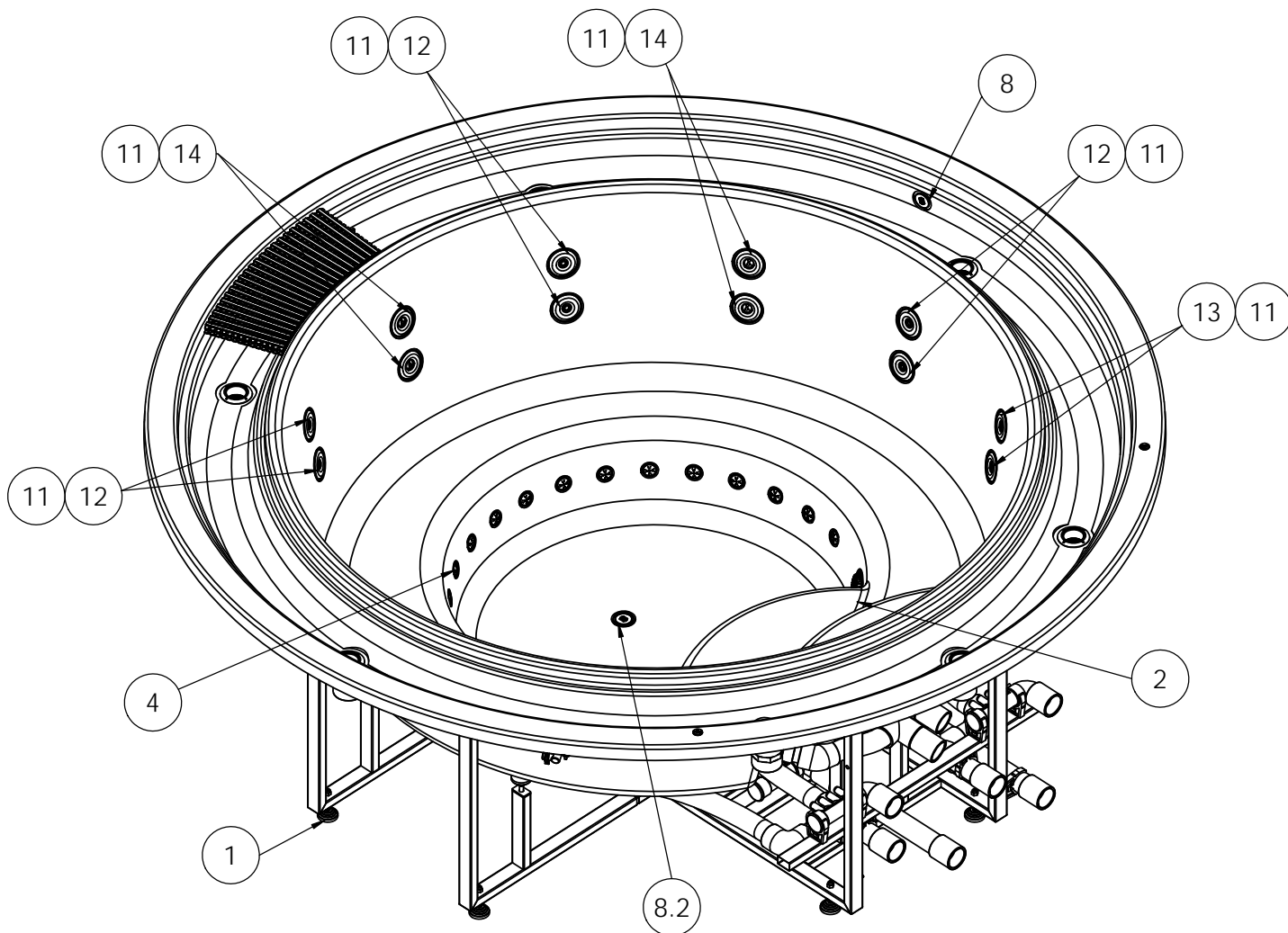
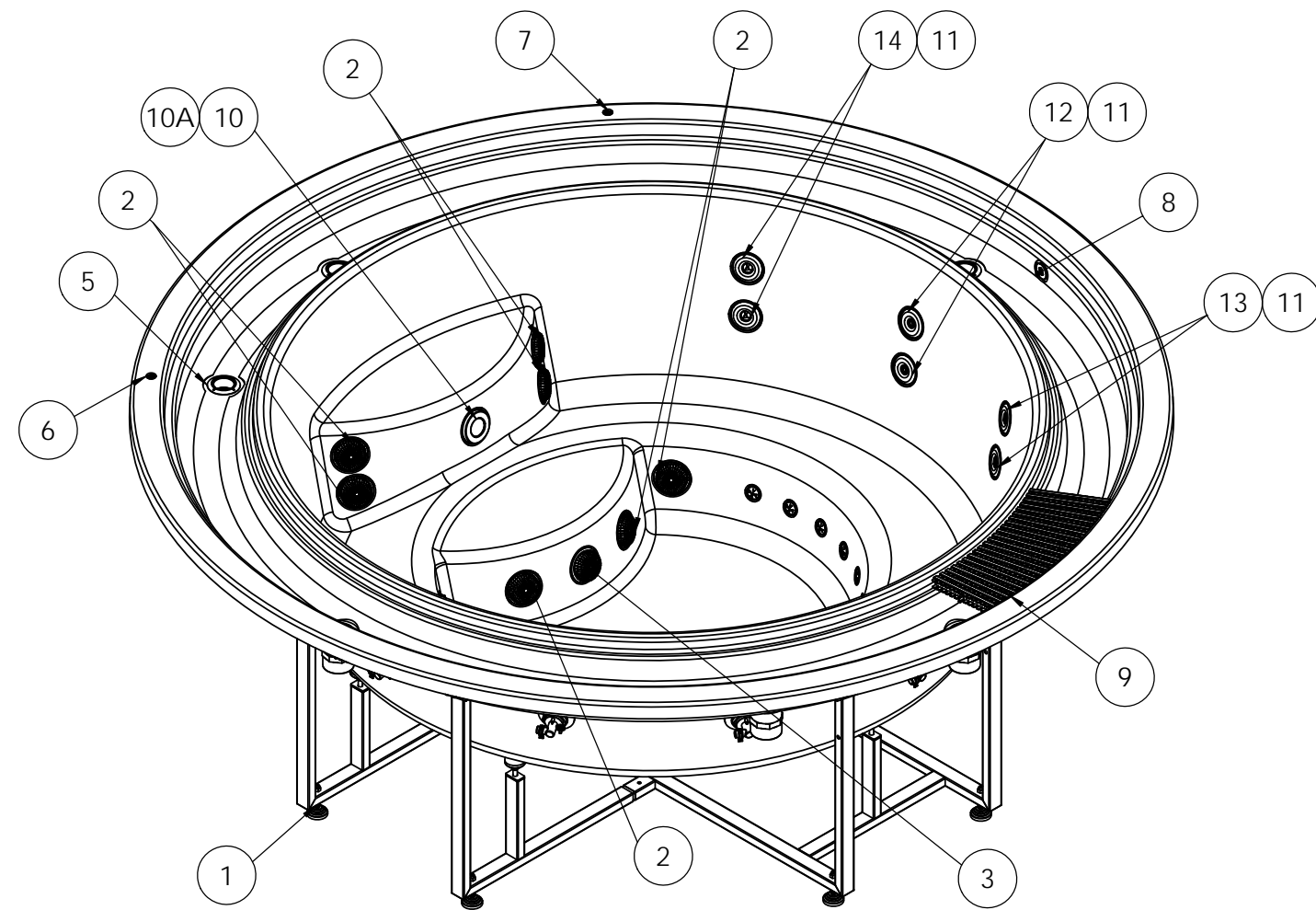


According to our policy of continuous improvement, dimensions, features or components of this product can be partially or completely changed without prior notice.  
It's Customer responsibility to verify that this is the last version of the drawing

Change No.	Date	Name	Modification
03	20/09/2016	I.Pozo	Change outputs legend
02	04/03/2016	I.Pozo	Change light and drain. Add table
01	29/01/14	I.Pozo	New Templates
00	08/04/13	I.Pozo	Drawing Creation

Remarks Dimensions in mm. General Tolerances +/- 10mm			<b>COMMERCIAL</b>			
Drawn	08/04/2013	I.Pozo		Part Number <b>57113</b>	Rev. <b>03</b>	First Angle Projection 
Checked	--	I.Nicolas				
Scale 1:20 Sheet 2/3	General Tolerance DIN 7168 ISO 2768g					
<small>Property of IBERSPA S.L. Avda. Pla d'Urgell 2-8 25200 Cervera, Spain. Don't use without permission. Keep this information confidential and use it solely for the permitted purpose.</small>						


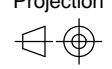


STAINLESS STEEL JETS + WHITE LIGHT			
Position Num.	PartNo SPARE	Description SPARE	Quant.
1	303325R	SPA SUPPORT	10
2	RPOR0275	SS SPA DRAIN 2" ADAPTOR SOCKET D.50	8
3	RPOR0276	SS SPA DRAIN 2" ADAPTOR ELBOW 90 D.50	1
4	REMP0046	WHITE-STAINLESS STEEL AIR NOZZLE	18
5	REMP0051	WHITE SPA DRAIN 2 1/2"	8
6	REMP0034	DIGITAL BUTTON IP68 ALUM. AIR	1
7	REMP0033	DIGITAL BUTTON IP68 ALUM. WATER	1
8	RPOR0003	GREY DRAIN SET - BODY+COVER+ASSEMBLY	2
8.2	RPOR0277	INTERNAL SS DRAINPIPE	1
9	REMP0041	CURVED GRATING WIDTH 245 mm	440
10	RCOM0071	HIGH INTENSITY WHITE LED SPOTLIGHTS + STAINLESS STEEL ESCUTCHEON SPOTLIGHT	1
11	RPOR0236	JET BODY SET RD 3"	18
12	RPOR0231	FRONTAL JET 3" STAINLESS STEEL DIRECTIONAL	8
13	RPOR0233	FRONTAL JET 3" STAINLESS STEEL TWIN ROTO	4
14	RPOR0232	FRONTAL JET 3" STAINLESS STEEL 1 JET ROTO	6

STAINLESS STEEL JET + COLOUR LIGHT			
Position Num.	Part N° SPARE	Description SPARE	Quant.
1	303325R	SPA SUPPORT	10
2	RPOR0275	SS SPA DRAIN 2" ADAPTOR SOCKET D.50	8
3	RPOR0276	SS SPA DRAIN 2" ADAPTOR ELBOW 90 D.50	1
4	REMP0046	WHITE-STAINLESS STEEL AIR NOZZLE	18
5	REMP0051	WHITE SPA DRAIN 2 1/2"	8
6	REMP0034	DIGITAL BUTTON IP68 ALUM. AIR	1
7	REMP0033	DIGITAL BUTTON IP68 ALUM. WATER	1
8	RPOR0003	GREY DRAIN SET - BODY+COVER+ASSEMBLY	2
8.2	RPOR0277	INTERNAL SS DRAINPIPE	1
9	REMP0041	CURVED GRATING WIDTH 245 mm	440
10A	RCOM0063	HIGH INTENSITY COLOURS LED SPOTLIGHTS + STEEL ESCUTCHEON SPOTLIGHT	1
11	RPOR0236	JET BODY SET RD 3"	18
12	RPOR0231	FRONTAL JET 3" STAINLESS STEEL DIRECTIONAL	8
13	RPOR0233	FRONTAL JET 3" STAINLESS STEEL TWIN ROTO	4
14	RPOR0232	FRONTAL JET 3" STAINLESS STEEL 1 JET ROTO	6

VALID FROM 15/01/2016

According to our policy of continuous improvement, dimensions, features or components of this product can be partially or completely changed without prior notice. It's Customer responsibility to verify that this is the last version of the drawing

03	20/09/2016	I.Pozo	Change outputs legend
02	04/03/2016	I.Pozo	Change light and drain. Add table
01	29/01/14	I.Pozo	New Templates
00	08/04/13	I.Pozo	Drawing Creation
Change No.	Date	Name	Modification
Remarks			SPARE DRAWING
Dimensions in mm. General Tolerances +/- 10mm			
Drawn	08/04/2013	I.Pozo	
Checked	-	I.Nicolas	
Scale 1:20	General Tolerance		Part Number <b>57113</b>
Sheet 3/3	DIN 7168 ISO 2768g		
			Rev. <b>03</b>
			First Angle Projection 
Property of IBERSPA S.L. Avda. Pla d'Urgell 2-8 25200 Cervera, Spain. Don't use without permission. Keep this information confidential and use it solely for the permitted purpose.			